

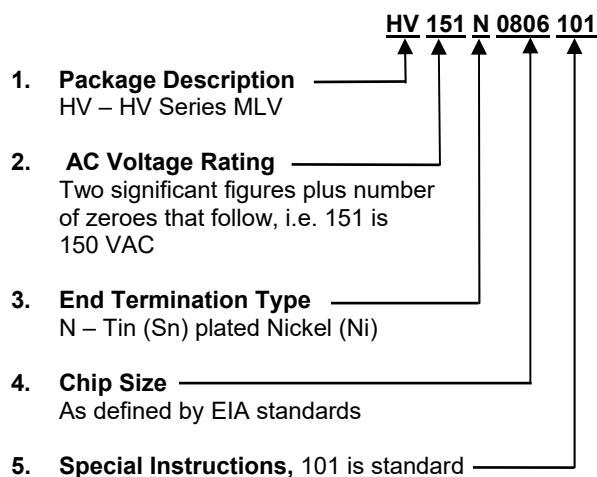
## INTRODUCTION

The HV MLV Series is a surface mount, multilayer varistor (MLV) design for line voltage applications. While typical MLV's are designed for low voltage applications, these MLV's are available with maximum continuous operating voltages (MCOV) ranging from 150VAC to 300VAC. Available in EIA chip sizes of 0806 and 1206.

### STYLE DESIGNATION

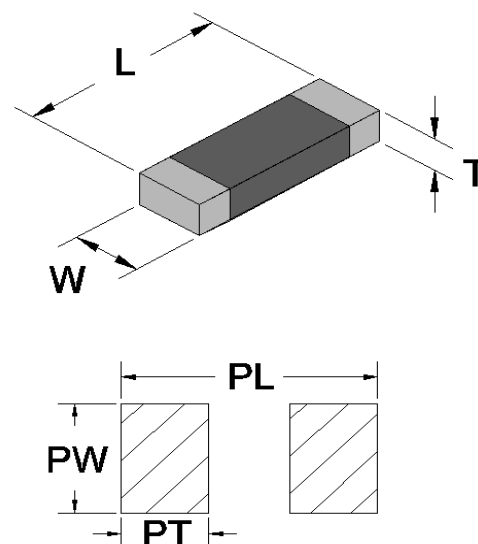
The Maida Style Number is the typical means to identify our components when ordered. The style number identifies several parameters that are important for the characteristics of the device. An alternative ordering method, if known, is by our Item Number.

The following example is the standard part numbering system when ordering our SMD Series components by the Maida Style Number:



### STANDARD MARKING

The HV MLV Series do not have individual markings on the components due to the chip sizes. The HV MLV Series components are supplied Tape & Reel. Each reel is marked with all required information and may include special annotation as required by our customers.



# MLV SERIES

## SPECIFICATIONS

### HV SERIES

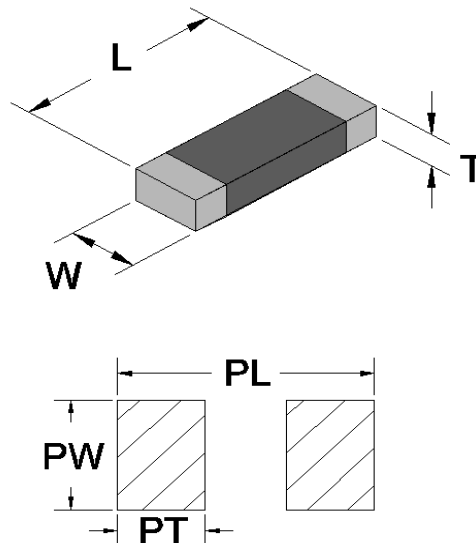
#### High Voltage MLV Series for Line Voltage Protection

#### Electrical Specifications:

Maida Style Number	Recognitions To Safety Agency Standards						Nominal Size (EIA)	Minimum Marking	Maximum Ratings						Electrical Characteristics				
									Continuous		Transient				Varistor Voltage @1 mA DC		Max Clamping Voltage (@Test Current)		Typical Cap. 1 V rms @1kHz
									Applied Voltage		Energy 8 x 20 $\mu$ sec	Nominal Discharge $I_{NOM}$ 8x20 $\mu$ s (15)	Peak Current 8 x 20 $\mu$ sec						
													1	2					
									(AC)	(DC)	(J)	(A)	(A)	(A)	Vmin (V)	Vmax (V)	(V)	(A)	(pF)
HV151N0806101	X	X					0806	N/A	150	200	0.7	10.0	40	25	216	264	340	1	60
HV181N0806101	X	X					0806	N/A	180	230	0.8	10.0	40	25	243	297	400	1	40
HV251N0806101	X	X					0806	N/A	251	330	1.0	10.0	40	25	354	432	500	1	25
HV271N0806101	X	X					0806	N/A	271	360	1.2	10.0	40	25	387	473	560	1	15
HV151N1206101	X	X					1206	N/A	150	200	1.5	10.0	80	50	216	264	350	1	35
HV181N1206101	X	X					1206	N/A	180	230	1.6	10.0	80	50	243	297	380	1	30
HV251N1206101	X	X					1206	N/A	250	330	2.0	10.0	80	50	354	432	560	1	20
HV271N1206101	X	X					1206	N/A	270	360	2.5	10.0	80	50	387	473	600	1	20
HV301N1206101	X	X					1206	N/A	300	390	3.0	10.0	80	50	425	518	650	1	15

#### Mechanical Specifications:

Size	L	W	T MAX	PL	PW	PT	Termination
0806	0.086"±0.008"	0.067"±0.008"	0.079"	0.138"	0.065"	0.047"	Ag/Ni/Sn
1206	0.126"±0.012"			0.160"			



#### NOTES:

Appendix A lists the single-pulse peak current and energy ratings on file with the Safety Agencies. Maximum transient rating specified in this table are valid. They may differ from those shown in Appendix A.

A = UL1449                      D = VDE  
 B = cUL                         E = DEMKO  
 C = CSA                         F =